

Model: BPA-300-580M

Total Power	300 Watts 600 Watts Peak for 15 seconds
Input Voltages	90-264 VAC
Outputs	Dual



SPECIAL FEATURES

- Active Power Factor Correction
- Wide Range Input
- Power Good Signal
- Inhibit
- UL, cUL and DEMKO to EN 60601-1 **Will be submitted**
- CE compliant
- Low profile height

ENVIRONMENTAL SPECIFICATIONS

Humidity: Up to 95% non-condensing

Storage Temperature: -20° to +85°C

Temperature coefficient: ±0.01% / °C

Ambient Operating Temperature: 0 to +50°C continuous duty, full rating. Derate linearly to 50% of full rating at +71°C.

Cooling: Up to 150 watts convection cooled. 300 watts with 20 CFM forced air-cooling required.

SAFETY APPROVALS Will be obtained

UL	60601-1
CUL	60601-1
DEMKO	EN60601-1

- **300 Watts (600 Watt Peak)**
- **High Density - Low Profile**
- **Power Factor and Harmonic Current Correction**

VOLTAGE/CURRENT RATING CHART

Voltage	Minimum	Maximum	Peak
+58V	0A	5.17A	10.4A
+12V	0A	3A*	3A*

* A minimum load of 0.5A is required on the +58V output in order to achieve the full rating of 3A on the 12V output.

ELECTRICAL SPECIFICATIONS

Input Specifications

Input Range.....	90-264 VAC
Frequency.....	47-63 Hz
EMI filter.....	EN55022 Class B, FCC Part 15
Inrush Current.....	≤32A @ 230 VAC
Input Current.....	8.4 – 2.8A
Isolation.....	4242 VDC (Input to Output)
Efficiency.....	84% @ 120 VAC
Active PFC.....	0.99
Switching Frequency.....	134 KHz.
Leakage.....	< 110uA

Output Specifications

DC Output.....	Maximum continuous output power 300 Watts with 20-CFM fan cooling.
Line Regulation.....	±0.5%
Load Regulation.....	±1%

300-1 Route 17 South Suite B2
 Lodi, NJ 07644
 Phone: (973) 594-1800 Fax: (973) 594-1804
salesteam@blutekpower.com

Model: BPA-300-580M

ELECTRICAL SPECIFICATIONS (CONT')

Output Specifications

- Ripple and Noise.....1% Pk to Pk
- Transient Response.....2% Maximum deviation;
returns to initial condition in 1 msec max.
- Long Term Stability.....0.01% after 20 minute
warm-up.
- Hold-Up Time.....20msec minimum
- OVP.....Set at 115% to 135%
- Short-circuit Protection.....Latching method. AC
must be recycled to restart the unit.
- Overload Protection.....Power supply will
deliver 300 to 600 watts for a minimum of 15 seconds.
The power supply will shut down after 15 seconds. The
power supply shut down for power over 600 watts.
- Power Good..... A TTL high logic signal
is provided to pin 13 of the P2 connector when the
output voltages are within normal operating conditions.
- InhibitA TTL low logic signal
sent to pin 1 of the P2 connector will inhibit all outputs.
Upon release of the signal, outputs are restored.

OVERALL MECHANICAL DIMENSIONS

U-Bracket
8"L x 3.5"W x 1.75"H
(See attached outline drawing)

PIN ASSIGNMENTS

(See attached In/Output Rating and Pin Assignment
Sheet)

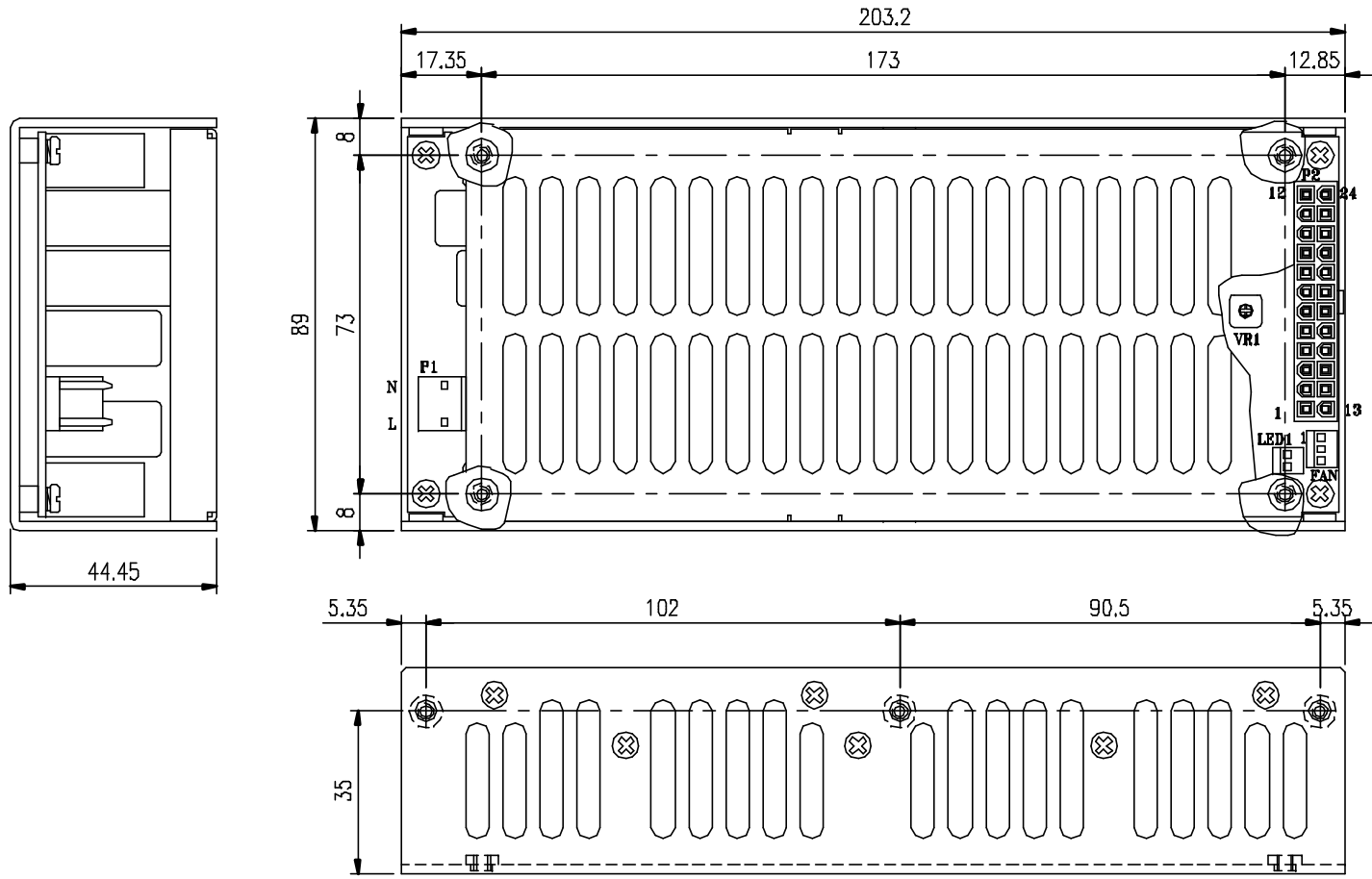
CONNECTOR

(See attached In/Output Rating and Pin Assignment
Sheet)

NOTES

- Specifications subject to change without notice.
- All dimensions in inches/mm
- Warranty: 1 year
- Weight: 2.5 lbs.

300-1 Route 17 South Suite B2
Lodi, NJ 07644
Phone: (973) 594-1800 Fax: (973) 594-1804
salesteam@blutekpower.com



<i>BluTek Power</i>			
TITLE			
OUTLINE DRAWING			
DRAWN	L. J. HUN	DRG. NO.	BLU-158
CHECKED		MODEL NO.	BPA-300-580M

UNIT	mm[inches]	REV. NO.	B	SCALE	0.7 : 1	MAT'L	t=
THIRD				TOL.	± 0.2	DATE	01. 06. 2006



IN/OUTPUT RATING & PIN ASSIGNMENT

SIZE : A4	FM-4000-34/REV.A-080502'
UNIT : mm[inches]	FILENAME: PPSC0430
REV. NO.: B	DATE : 01. 07. 2006
DRAWN: 洪麗珍 L. J. Hun	CHECKED:

MODEL NO. : BPA-300-580M

INPUTS :

ASSIGNMENT	A.C. VOLTAGE	CURRENT	PIN NBR
L:	100-240V~		P1-1
N:			P1-3
GND:		50-60Hz	CHASSIS

OUTPUTS :

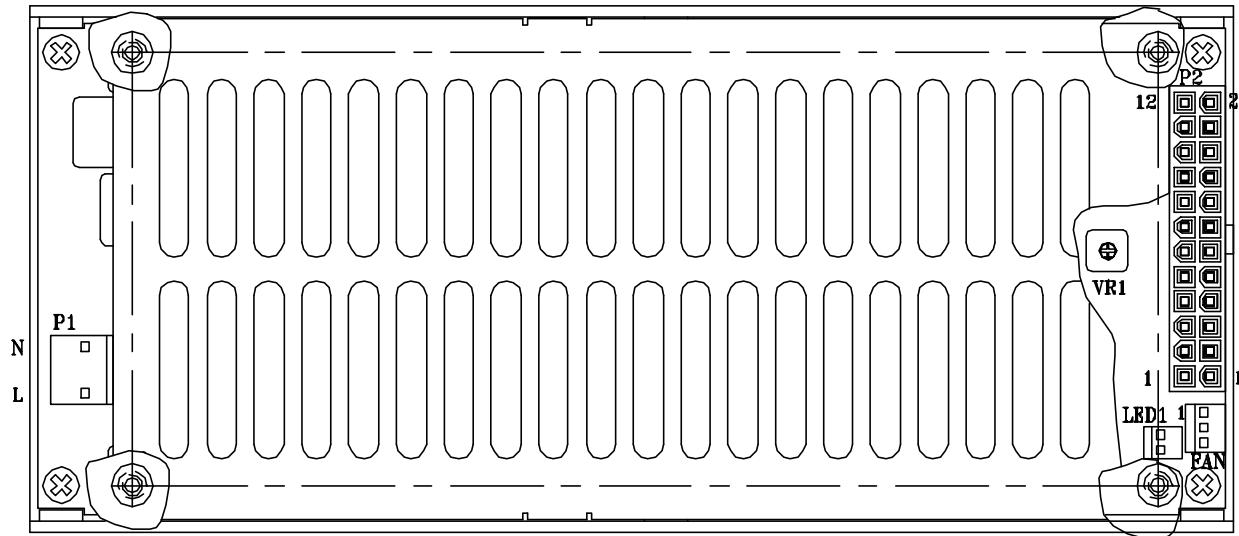
ASSIGNMENT	D.C. VOLTAGE	CURRENT	PIN NBR
VO1:	58V ---	5.17A(10.4A pk)	P2-9~12, 20~24
VO2:	12V ---	3A	P2-3
DC COM:			P2-4~8, 16~19
VO1 +S:			P2-14
VO1 -S:			P2-15
INH:			P2-1
POWER GOOD:			P2-13
VO2 +S:			P2-2

MAXIMUM OUTPUT POWER: 300W

P1 = LCU
P3060-03-2-S2

or

Molex 5273
series



P2 = Molex
39-28-8240

FAN CONNECTOR:
Molex 22-04-1031

LED1 CONNECTOR:
Molex 22-04-1021