

Model: BPC2250

Total Power	2550 Watts with 3 – 850W modules
Input Voltages	180-264 VAC Single Phase 380 VAC 3 Phase
Outputs	Single or triple output

SPECIAL FEATURES

- Active Power Factor Correction
- Wide Range Input
- Available in Single or Three Phase Input
- Power Okay
- PS On/Inhibit
- I²C interface (optional)
- UL, CUL, and DEMKO Approvals to be obtained
- CE compliant
- **Custom modifications available**

ENVIRONMENTAL SPECIFICATIONS

Humidity: Up to 95% non-condensing

Storage Temperature: -20° to +85°C

Temperature coefficient: ±0.01% / °C

Ambient Operating Temperature: 0 to +50°C continuous duty, full rating. Derate linearly to 50% of full rating at +71°C.

Cooling: Self contained fan cooling on each module.

SAFETY APPROVALS

UL 60950-1 Second Edition
 CUL 60950-1 Second Edition
 DEMKO EN60950-1 Second Edition



OVERALL MECHANICAL DIMENSIONS

11.41" L x 4.0" W x 6" H
 (290mm x 101mm x 151.5mm)

ELECTRICAL SPECIFICATIONS

Input Specifications

Input Range..... 180-264 VAC Single Phase
 380 VAC 3 Phase
 Frequency..... 47-440 Hz
 EMI filter..... EN55022 Class B, FCC Part 15
 Inrush Current..... <32A @ 230 VAC
 Input Current..... 14.7A – 10.0A
 Isolation..... 4242 VDC (Input to Output)
 Efficiency..... 85%
 Active PFC..... 0.99
 Switching Frequency..... 134KHz.
 Leakage..... < 3.5mA

Output Specifications

DC Output..... Maximum continuous output power 2550 Watts with self-contained fan cooling on each module.

Line Regulation..... ±0.05%

Load Regulation..... ±1%

Ripple and Noise..... 1% Pk to Pk

Transient Response..... 2% Maximum deviation; returns to initial condition in 1 msec max.

Long Term Stability..... 0.01% after 20 minute warm-up.

300-1 Route 17 South Suite B2
 Lodi, NJ 07644
 Phone: (973) 594-1800 Fax: (973) 594-1804
salesteam@blutekpower.com

Model: BPC2250

ELECTRICAL SPECIFICATIONS (CONT')

Output Specifications

Hold-Up Time..... 20msec minimum

OVP.....115% to 135% on VO1 output only.

Short-circuit Protection.....Constant current with delayed latching method on VO1 output.

Overload Protection.....Constant current with delayed latching method on VO1 output. The AC must be recycled or the PS ON reset to restart the unit.

Power Okay..... A TTL high logic signal is provided on pin P2-4 when the input and output voltages are within normal operating conditions.

PS On/Inhibit..... Remote ON/OFF to turn power supply OFF on open contact.

I²C Monitors: Power Good, Voltage, Current, Temperature, and Fan

CONNECTOR

AC input – Terminal Blocks

DC output – Bus Bars

Output Connector – P1: DINKLE DT-7N-B01W-05

P2: Molex 43045-1612

PIN ASSIGNMENTS

See attached Hook-Up Drawing

NOTES

- Specifications subject to change without notice.
- All dimensions in inches/mm
- Warranty: 2 years
- Weight: 12.5 lbs

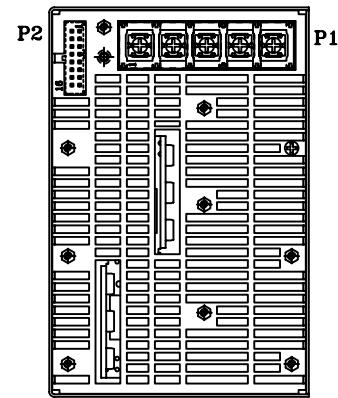
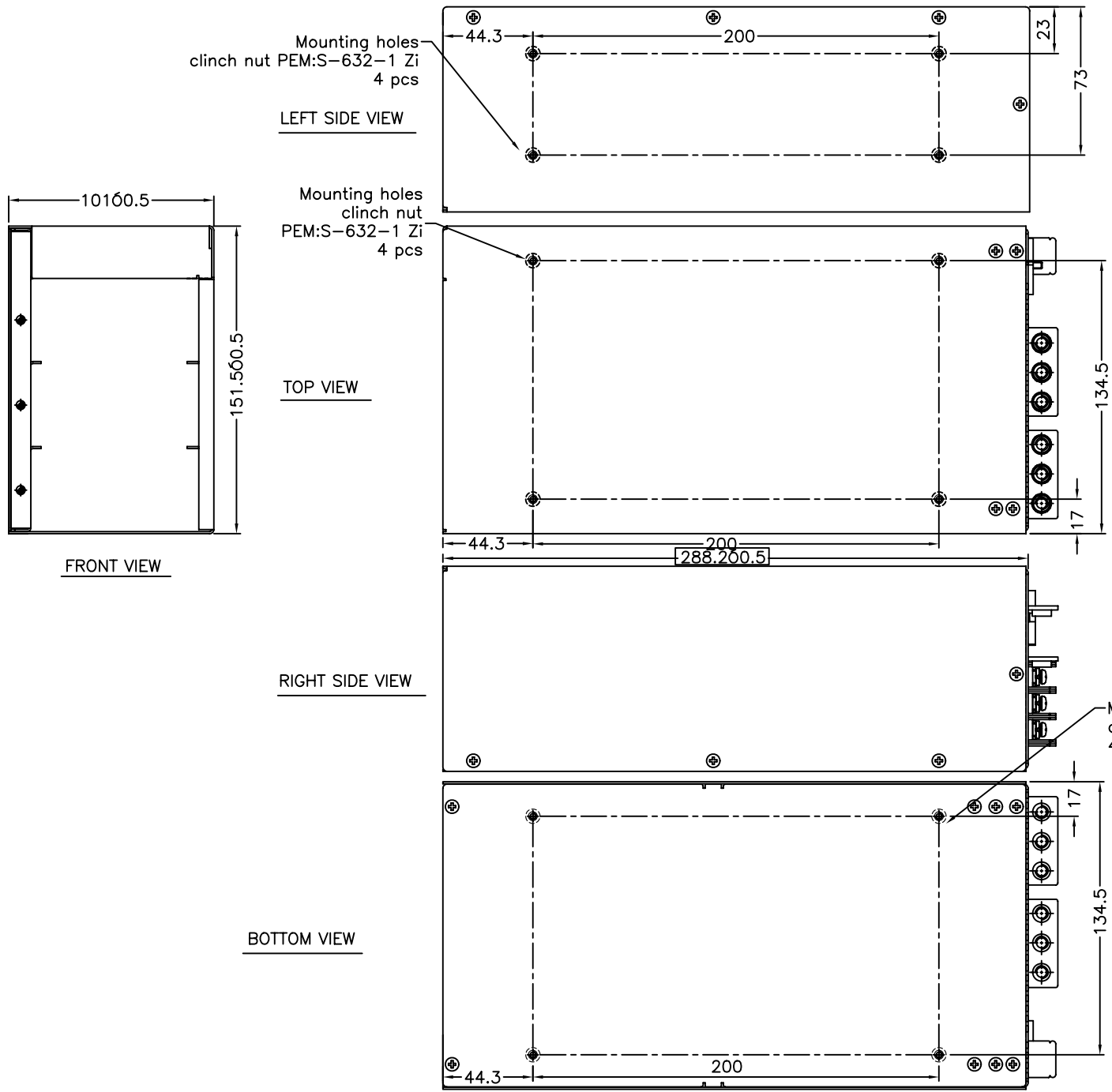
VOLTAGE/CURRENT RATING CHART PER CHASSIS (not all available models shown)

Part Number	Assignment	Voltage	Minimum	Maximum
BPC2250-050-3A	VO1	+5.0V	0A	300.0A
	5VSB	+5V	0A	2.0A
BPC2250-120-3A	VO1	+12V	0A	212.5A
	5VSB	+5V	0A	2.0A
BPC2250-240-3A	VO1	+24V	0A	106.2A
	5VSB	+5V	0A	2.0A
BPC2250-480-3A	VO1	+48V	0A	53.1A
	5VSB	+5V	0A	2.0A
BPC2250-580-3A	VO1	+58V	0A	43.9A
	5VSB	+5V	0A	2.0A

All Voltages Available from 5V to 58V

300-1 Route 17 South Suite B2
Lodi, NJ 07644
Phone: (973) 594-1800 Fax: (973) 594-1804
salesteam@blutepower.com

BPC2250 Spec – 030111



REAR VIEW
(with rear panel)

Mounting holes
clinch nut PEM:S-632-1 Zi
4 pcs

<i>BluTek Power</i>											
TITLE		OUTLINE DRAWING									
UNIT	mm[inches]	REV. NO.	A2	SCALE	0.34 : 1	MAT'L	t=	DRAWN	H. L. LIN	DRG. NO.	BLU-161
THIRD	⊕	⚡		TOL.	±	DATE	10. 18. 2006	CHECKED		MODEL NO.	BPC2250 LF



300-1 (B2) Route 17, Loch, NJ 07644

MODEL NO. : BPC2250 SERIES

INPUTS :

ASSIGNMENT	A.C. VOLTAGE	CURRENT	PIN NBR
L (3):	100-240V~		P1-5
L (2):			P1-4
L (1):			P1-3
N:			P1-2
GND:		50-60Hz	P1-1

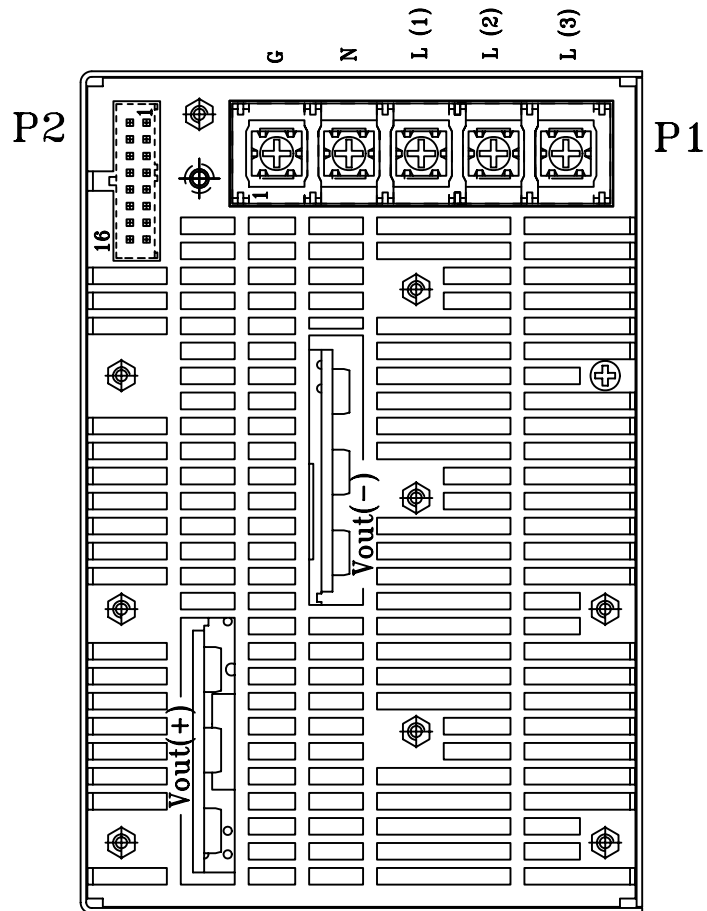
IN/OUTPUT RATING & PIN ASSIGNMENT

SIZE : A4	FM-4000-34/REV.A-080502'
UNIT : mm[inches]	FILENAME: PPSC0455
REV. NO.: A	DATE : 10. 18. 2006
DRAWN: ? ? ? H. L. LIN	CHECKED:

OUTPUTS :

ASSIGNMENT	D.C. VOLTAGE	CURRENT	PIN NBR
Vout(+):			Bus bar
Vout(-):			Bus bar
TRACK:			P2-1
INH:			P2-2
-V01Sense:			P2-3
+V01Sense:			P2-4
SDA:			P2-5
5VSB:			P2-6, 14
P. OK (1):			P2-7
P. OK (3):			P2-8
V01Current Sense:			P2-9
TEMP (3):			P2-10
TEMP (1):			P2-11
TEMP (2):			P2-12
SDL:			P2-13
COM:			P2-15
P. OK (2):			P2-16

MAXIMUM OUTPUT POWER: 2250W



P2: molex 43045-1612

P1: DINKLE
DT-7N-B01W-05