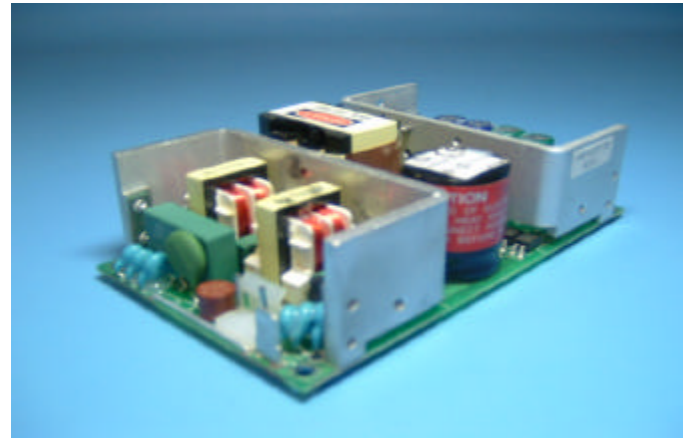


**Model: BPN-100 Single Output Series**

Total Power	100 Watts
Input Voltages	90-264 VAC
Outputs	Single



**SPECIAL FEATURES**

- Wide Range Input
- UL, CUL, CB scheme and Demko approved.
- CE compliant
- Custom Modifications Available

**ENVIRONMENTAL SPECIFICATIONS**

Humidity: Up to 95% non-condensing

Storage Temperature: -20° to +85°C

Temperature coefficient: ±0.01% / °C

Ambient Operating Temperature: 0 to +50°C continuous duty, full rating. Derate linearly to 50% of full rating at +71°C.

Cooling: 9-cfm fan cooling required

**SAFETY APPROVALS**

UL	60950
CUL	60950
DEMKO	EN60950

**VOLTAGE/CURRENT RATING CHART**

<b>Model No.</b>	<b>Voltage</b>	<b>Amperage</b>
BPN-100-12	3.3V	20A
BPN-100-13	5V	20A
BPN-100-14	12V	8.3A
BPN-100-15	15V	6.6A
BPN-100-16	24V	4.2A
BPN-100-17	28V	3.6A
BPN-100-18	36V	2.8A
BPN-100-19	48V	2.1A

**ELECTRICAL SPECIFICATIONS**

**Input Specifications**

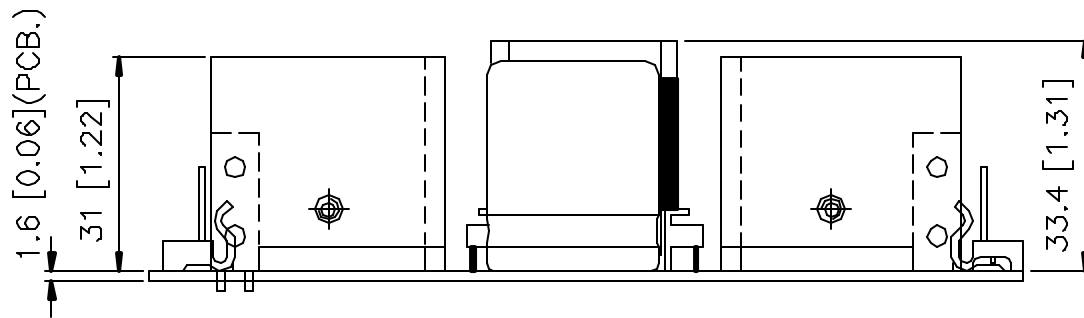
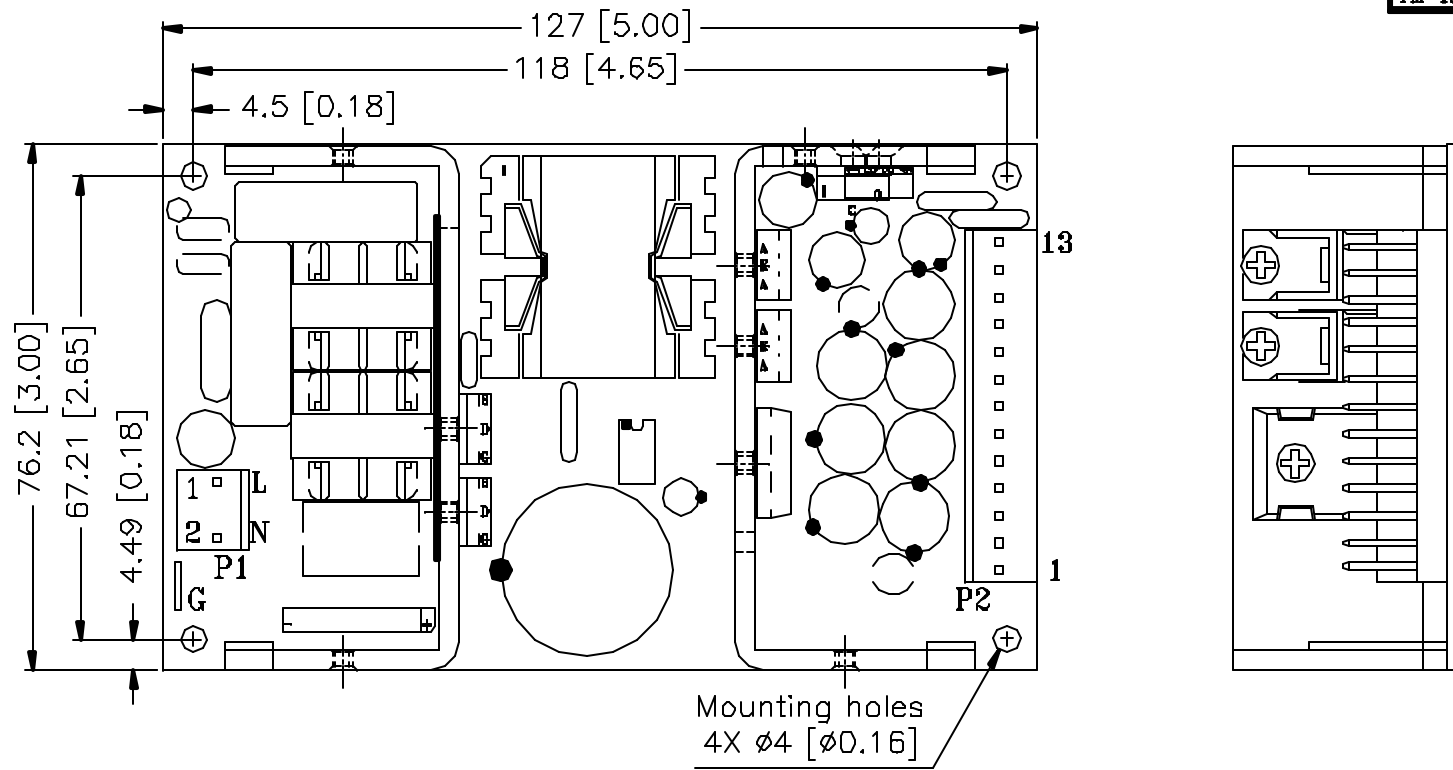
Input Range.....90-264 VAC  
 Frequency.....47-63 Hz  
 EMI filter.....EN55022 Class B, FCC Part 15  
 Inrush Current.....≤32A @ 230 VAC  
 Input Current.....1.7 - 0.7A  
 Isolation.....4242 VDC (Input to Output)  
 Efficiency.....Typically 78% @ 120 VAC  
 Switching Frequency.....65 KHz.

**Output Specifications**

DC Output.....Maximum continuous output power 100 Watts with 9-cfm fan cooling.  
 Line Regulation.....±0.5%  
 Load Regulation.....±1%  
 Ripple and Noise.....1% Pk to Pk  
 Transient Response.....2% Maximum deviation; returns to initial condition in 1 msec max.

300-1 Route 17 South Suite B2  
 Lodi, NJ 07644  
 Phone: (973) 594-1800 Fax: (973) 594-1804  
[salesteam@blutekpower.com](mailto:salesteam@blutekpower.com)





<i>BluTek Power</i>			
TITLE	PCB. OUTLINE DRAWING		
DRAWN	E. L. LIN	DRG. NO.	BLU-042
CHECKED		MODEL NO.	BPN-100 Series

UNIT	mm[inches]	REV. NO.	Ø	SCALE	1 : 1	MAT'L	t=
THIRD	⊕	⚡		TOL.	± 0.2	DATE	09. 26. 2003