

**Model: BSG36 Series**



Total Power	36 Watts
Input Voltages	90-264 VAC
Outputs	Single

**SPECIAL FEATURES**

- Universal Input
- Green Power Design
- RoHS compliant
- EMI meets EN55011 FCC Class B
- UL, cUL and DEMKO Approvals
- CE compliant

**ENVIRONMENTAL SPECIFICATIONS**

Operating Temperature: 0 to +40°C with no derating

Power Density: 2.87 Watts/Cubic inch

Storage Temperature: -20° to +85°C

Temperature coefficient: ±0.04% / °C

Cooling: Free air convection

**SAFETY APPROVALS**

UL	60950
cUL	60950
DEMKO	EN60950

**ELECTRICAL SPECIFICATIONS**

**Input Specifications**

Input Range.....	90-264 VAC
Frequency.....	47-63 Hz
EMI filter.....	EN55011 FCC Class B
Input Connector.....	IEC320-3P AC Receptacle
Inrush Current.....	35A @ 230 VAC
Input Current.....	0.85A @ 90Vac
	0.30A @ 264Vac
Dielectric Withstand.....	Meet IEC950
Hold-up Time.....	15mS @ 115Vac
	60mS @ 230Vac
Efficiency.....	80%
Green Power.....	0.37W @ 132Vac
	0.50W @ 264Vac
Switching Frequency.....	60 KHz.
Leakage.....	<0.126mA

**Output Specifications**

DC Output.....	Maximum continuous output power 36 Watts.
Line Regulation.....	0.2%
Load Regulation.....	±3.0%
Ripple and Noise.....	1.0% Pk to Pk

300-1 Route 17 South Suite B2  
 Lodi, NJ 07644  
 Phone: (973) 594-1800 Fax: (973) 594-1804  
[salesteam@blutekpower.com](mailto:salesteam@blutekpower.com)

## Model: BMG36 Series

### ELECTRICAL SPECIFICATIONS (CONT')

#### Output Specifications

Transient Response..... Output voltage returns in less than 1mS following a 25% load change.

OVP..... Built-in, Zener diode clamping

Overload Protection (OLP)..... 125% to 150%

Short-circuit Protection

### NOTES

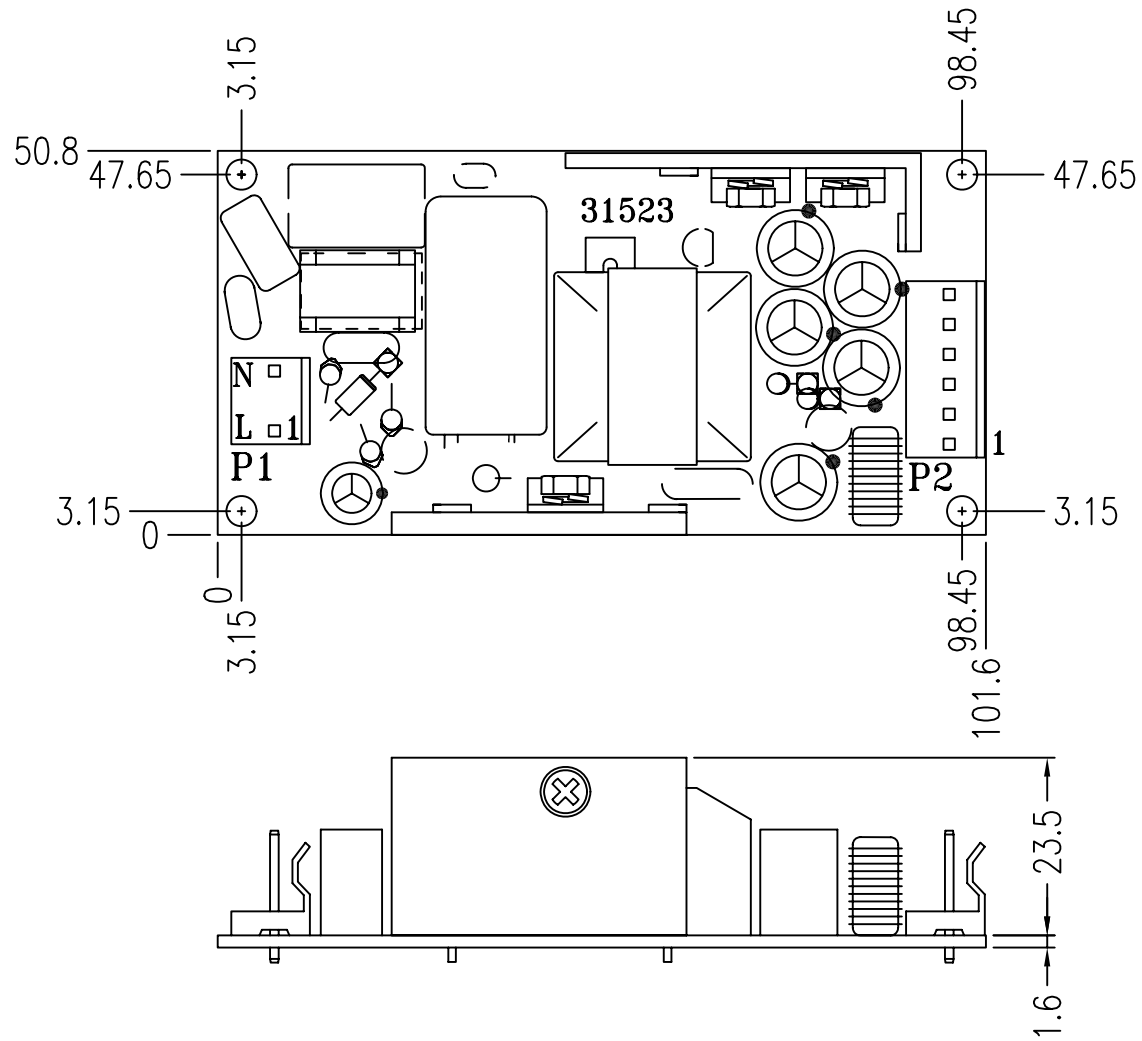
- Specifications subject to change without notice.
- All dimensions in inches/mm
- Warranty: 1 year
- Weight: 11.6Oz. (330g)

### MODEL No. / OUTPUT VOLTAGE / CURRENT RATINGS CHART (Sample Chart, not all Models shown)

Model No.	O/P Voltage (Vdc)	Current
BMG36-120	12.0V	3.0A
BMG36-200	20.0V	1.8A
BMG36-240	24.0V	1.5A
BMG36-360	36.0V	1.0A
BMG36-480	48.0V	0.8A

*All voltages available between 12V and 48V in increments of .1V  
Various input and output connectors available*

300-1 Route 17 South Suite B2  
Lodi, NJ 07644  
Phone: (973) 594-1800 Fax: (973) 594-1804  
[salesteam@blutekpower.com](mailto:salesteam@blutekpower.com)



<i>BluTek Power</i>			
TITLE		OUTLINE DRAWING	
DRAWN	L. J. HUN	DRG. NO.	BLU-232
CHECKED		MODEL NO.	BSG36 series

UNIT	mm[inches]	REV. NO.	A	SCALE	1 : 1	MAT'L	t=
THIRD	⊕	⚡		TOL.	± 0.2	DATE	06. 29. 2007



300-1 (B2) Route 17, Loch, NJ 07644

MODEL NO. : BSG36 Series

INPUTS :

ASSIGNMENT	A.C. VOLTAGE	CURRENT	PIN NBR
L:	100-240V~		P1-1
N:		50-60Hz	P1-3

### IN/OUTPUT RATING & PIN ASSIGNMENT

OUTPUTS :

ASSIGNMENT	D.C. VOLTAGE	CURRENT	PIN NBR
V01:	See Voltage/Current Rating Chart		P2-1, 2
DC COM:			P2-3, 4
NA:			P2-5, 6

MAXIMUM OUTPUT POWER: 36W

SIZE : A4	FM-4000-34/REV.A-080502'
UNIT : mm[inches]	FILENAME: PPSC0475
REV. NO.: A	DATE : 06. 29. 2007
DRAWN: 洪麗珍 L. J. Hun	CHECKED:

