

Model: HEMP100G Series

ELECTRICAL SPECIFICATIONS (CONT')

Output Specifications

Transient Response..... 2% Maximum deviation;
returns to initial condition in 1 msec max.

Long Term Stability.....0.01% after 20 minute
warm-up.

OVP..... Built-in (latch)

Overload Protection (OLP).....110% to 135%

Short-circuit Protection

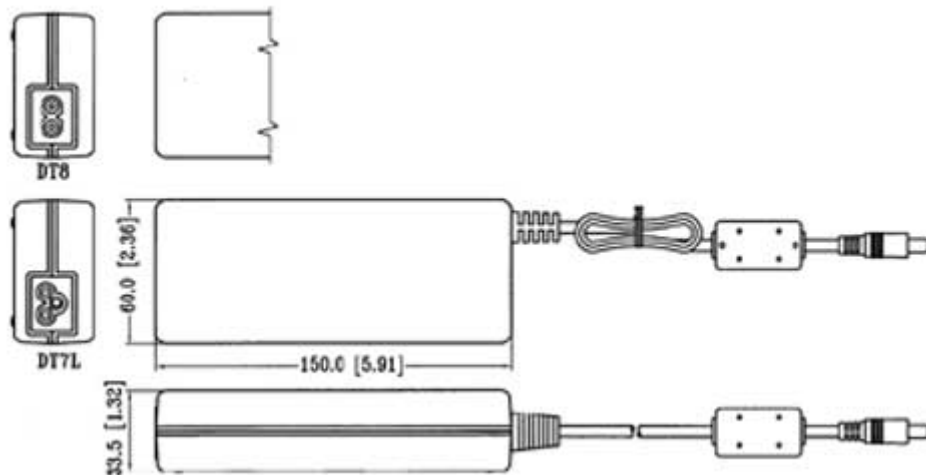
NOTES

- Specifications subject to change without notice.
- All dimensions in inches/mm
- Warranty: 1 year
- Weight: 18.8Oz. (400g)

MODEL No. / OUTPUT VOLTAGE / CURRENT RATINGS CHART

Model No.	AC Plug	O/P Voltage (Vdc)	Current
HEMP100G-S120070-7L	DT7L	12.0V	7.0A
HEMP100G-S120070-8	DT8	12.0V	7.0A
HEMP100G-S150062-7L	DT7L	15.0V	6.2A
HEMP100G-S150062-8	DT8	15.0V	6.2A
HEMP100G-S190053-7L	DT7L	19.0V	5.3A
HEMP100G-S190053-8	DT8	19.0V	5.3A
HEMP100G-S240042-7L	DT7L	24.0V	4.2A
HEMP100G-S240042-8	DT8	24.0V	4.2A

MECHANICAL DIMENSIONS: mm (Inches)



300-1 Route 17 South Suite B2
Lodi, NJ 07644
Phone: (973) 594-1800 Fax: (973) 594-1804
salesteam@blutekpower.com